

The EnerSys® range of PowerSafe® OPzS batteries has been designed for use in all standby power applications that demand the highest levels of reliability and security.

PowerSafe OPzS cells benefit from an optimised plate design that results in increased capacity compared to the requirements of the internationally recognised DIN standard. In addition, the tubular plate technology offers excellent cycling performance together with a proven long life under float voltage conditions, for a truly flexible solution.

The specification of the PowerSafe OPzS cells make it ideal for a wide range of applications such as telecommunications, telephony, power generation and distribution, railway, airport and seaport signalling, computing, emergency lighting, automation and measuring systems.

Features & Benefits

- Capacity range: 216Ah – 3360Ah (C₁₀/1.80Vpc/20°C)
- C₁₀ capacities exceed the DIN standard values
- Excellent cyclability
- 20 year design life (20°C)
- High operational reliability
- Low maintenance
- 3 year topping-up interval
- DIN 40736-1 compliant



EnerSys®

Power/Full Solutions

RESERVE
POWER

Construction

- Positive electrodes – die-cast tubular plates with low antimony lead alloy for longer life
- Negative electrodes – pasted flat plates provide perfect balance with the positive plates to give maximum performance
- Separators – special microporous material
- Containers – moulded from durable, transparent styrene acrylonitrile (SAN) to allow electrolyte level and cell condition to be monitored visually
- Cell lids – made of opaque ABS sealed to container to ensure no electrolyte leakage
- Electrolyte – diluted sulphuric acid with a specific gravity of 1.240 ±0.010 (maximum level) at 20°C for a fully charged cell

- Terminals – lead alloy leakproof pole with brass insert designed to give minimum resistance and maximum current flow
- Vent plugs – safety plugs equipped with flame arrestors. Special vent plugs allowing topping-up and S.G. reading without the need to remove them, are available on request
- Connectors – fully insulated, solid copper inter-cell connectors allow voltage measurements

- Topping-up intervals of about 3 years in standby operation mode thanks to large electrolyte reserve
- Can be installed on steel or wooden racks

Standards

- Compliant with both the international standard IEC 60896-11 and the DIN standard 40736-1
- Batteries must be installed in accordance with safety standard EN 50272-2 and national regulations
- Manufactured in EnerSys® ISO 9001:2008 and ISO 14001:2004 certified production facilities

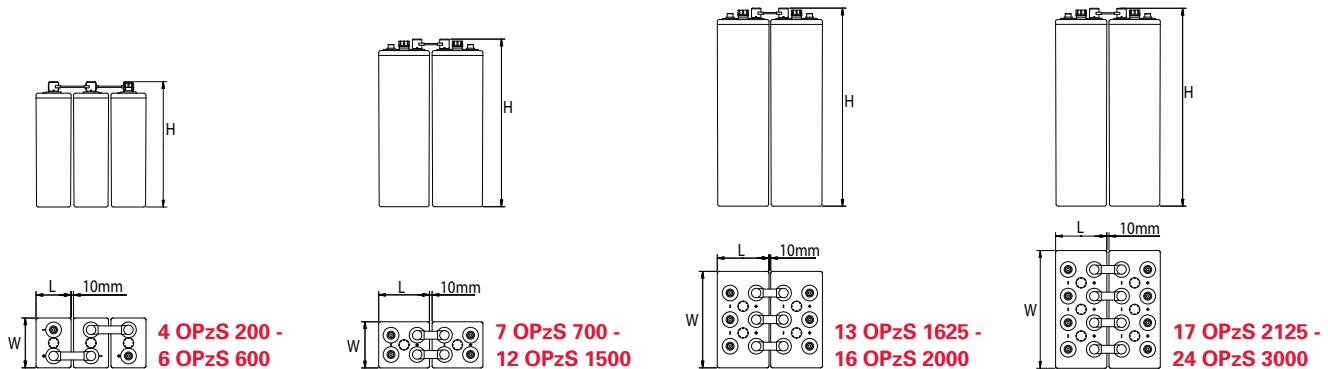
Installation & Operation

- Recommended float charge voltage: 2.23Vpc (20°C/68°F - 25°C/77°F)
- Recommended temperature range: +10°C/+50°F to +30°C/+86°F (preferred value 20°C/68°F)

General Specifications

PowerSafe® OPzS Cell Types	Nominal Voltage (V)	Number of Terminals	Nominal Capacity (Ah)		Nominal Dimensions (mm)			Typical Weight (kg)		Electrolyte Volume (Litres)	Short Circuit Current (A)	Internal Resistance (mΩ)
			10 hr rate to 1.80Vpc @ 20°C	8 hr rate to 1.75Vpc @ 77°F	Length	Width	Height*	Dry	Acid Filled			
4 OPzS 200	2	2	216	217	103	206	403	12.4	17.2	3.9	2400	0.85
5 OPzS 250	2	2	270	266	124	206	403	14.8	20.8	4.9	3000	0.68
6 OPzS 300	2	2	324	319	145	206	403	17.1	24.3	5.8	3600	0.57
5 OPzS 350	2	2	390	388	124	206	520	19.0	26.9	6.7	3400	0.60
6 OPzS 420	2	2	468	466	145	206	520	22.1	31.5	8.0	4075	0.50
7 OPzS 490	2	2	546	543	166	206	520	25.2	36.1	9.3	4750	0.43
6 OPzS 600	2	2	660	648	145	206	695	31.9	44.8	11.1	5000	0.40
7 OPzS 700	2	4	817	798	210	191	695	40.4	57.6	14.8	5800	0.34
8 OPzS 800	2	4	880	856	210	191	695	44.4	61.3	14.5	6650	0.30
9 OPzS 900	2	4	1040	1013	210	233	695	49.6	70.9	18.4	7475	0.27
10 OPzS 1000	2	4	1100	1071	210	233	695	53.5	74.6	18.1	8300	0.24
11 OPzS 1100	2	4	1260	1227	210	275	695	58.9	84.4	20.8	9150	0.22
12 OPzS 1200	2	4	1320	1293	210	275	695	62.8	88.0	20.6	9950	0.20
11 OPzS 1375	2	4	1590	1631	210	275	845	74.5	109.0	27.6	8800	0.22
12 OPzS 1500	2	4	1680	1730	210	275	845	80.2	114.3	27.3	9600	0.21
13 OPzS 1625	2	6	1910	1969	214	399	820	91.2	140.0	39.6	10400	0.19
14 OPzS 1750	2	6	2040	2092	214	399	820	95.8	144.0	39.6	11200	0.18
15 OPzS 1875	2	6	2150	2208	214	399	820	101.0	149.0	38.9	12000	0.16
16 OPzS 2000	2	6	2240	2307	214	399	820	105.0	151.5	39.0	12800	0.15
17 OPzS 2125	2	8	2470	2546	212	487	820	119.0	180.0	48.5	13600	0.14
18 OPzS 2250	2	8	2600	2669	212	487	820	125.0	184.0	47.8	14400	0.14
19 OPzS 2375	2	8	2710	2785	212	487	820	130.0	189.0	47.5	15200	0.13
20 OPzS 2500	2	8	2800	2884	212	487	820	134.0	193.0	47.6	16000	0.12
22 OPzS 2750	2	8	3150	3238	212	576	820	153.0	225.0	57.8	17600	0.11
24 OPzS 3000	2	8	3360	3543	212	576	820	163.0	234.5	56.4	19200	0.10

* Height shown is overall height, including connectors and shrouds



EnerSys
P.O. Box 14145
Reading, PA 19612-4145
USA
Tel. +1-610-208-1991
Fax +1-610-372-8613

EnerSys - (EMEA)
EH Europe GmbH
Löwenstrasse 32
8001 Zurich, Switzerland

EnerSys Asia
152 Beach Road
Gateway East Building, Level 11
189721 Singapore
Tel: +65 6508 1780

EnerSys Ltd.
Oak Court
Clifton Business Park
Wynne Avenue, Swinton
Manchester M27 8FF
UK
Tel: +44 (0)161 794 4611
Fax: +44 (0)161 727 3809

Contact:

© 2011 EnerSys®. All rights reserved.
Trademarks and logos are the property of EnerSys® and its affiliates unless otherwise noted.